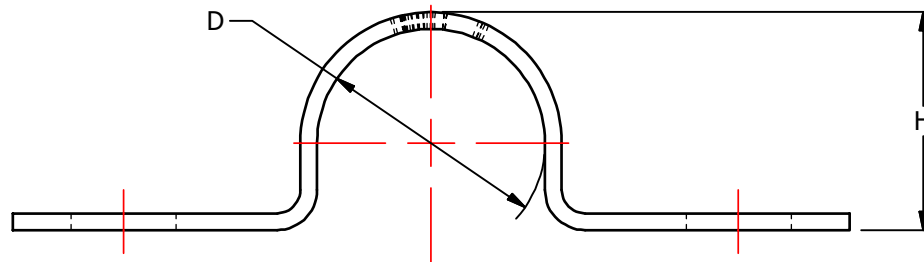
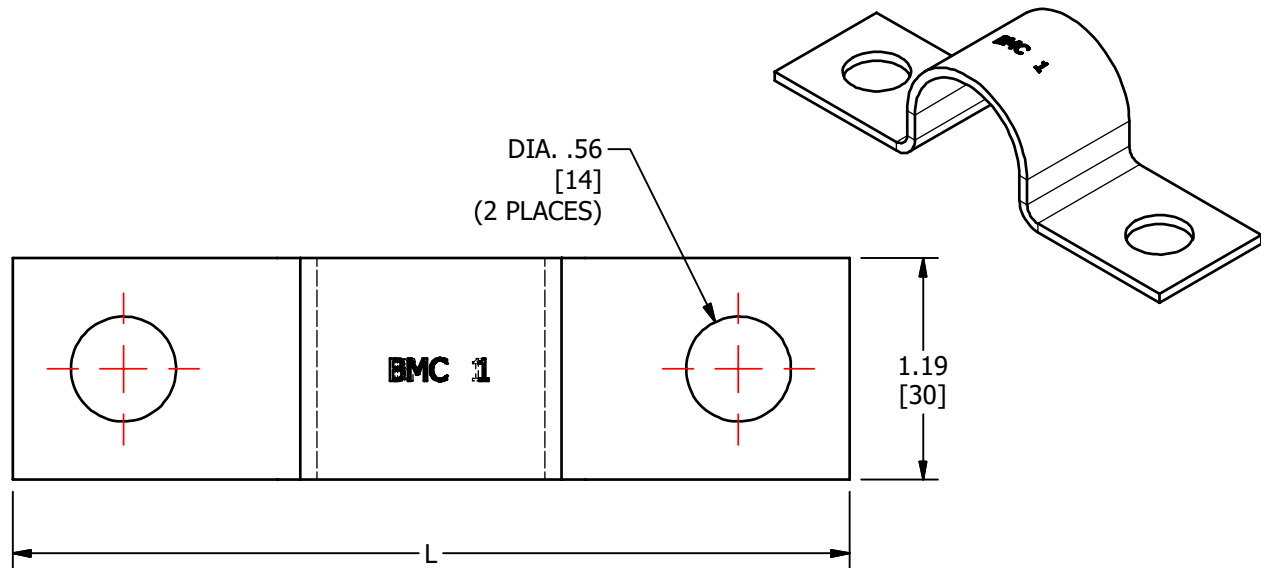


| S.NO | CATALOG NUMBER | L | H | D |
|------|----------------|----------------|---------------|---------------|
| 1 | BA5CS-1 | 5.87 [149] | 1.19 [30] | 1.22 [31] |
| 2 | BA5CS-2 | 5.06 [129] | 2.50 [64] | 2.20 [56] |
| 3 | BA5CS-2.5 | 5.51 [140] | 3.00 [76] | 2.82 [72] |
| 4 | BA5CS-3 | 6.75 [171] | 3.50 [89] | 3.45 [88] |
| 5 | BA5CS-3.5 | 6.50 [165] | 4.00 [102] | 4.00 [102] |
| 6 | BA5CS-4 | 7.00 [178] | 4.41 [112] | 4.00 [102] |
| 7 | BA5CS-5 | 7.99 [203] | 5.50 [140] | 5.19 [132] |
| 8 | BA5CS-6 | 10.50 [267] | 6.00 [152] | 7.75 [197] |



| | | | | | | | | |
|------|---------------------|-----|----------|-------|------------------------------------|----------------------|------------------------|------------------|
| | | | | | TO ORDER CMC PRODUCTS | DRAWN BY: TS | NAME OF PART: | CAT. NO.: |
| | | | | | UNITED STATES 1-513-860-4455 | 03-23-20 | CONDUIT STRAP | SEE TABLE |
| | | | | | CANADA 1-800-361-6975 | CHECKED BY: | DWG NO: | A |
| | | | | | MEXICO 011-52-722-265-4400 | | UB20206377-S (CHARTED) | |
| A | NEW DRAWING CREATED | | 03-23-20 | TS | FOR PRODUCT INFO www.cmlugs.com | DRAWING NOT TO SCALE | | SHEET NO: 1 OF 1 |
| REV. | DESCRIPTION | ECN | DATE | INIT. | | | | |

THIS INFORMATION IS PROPRIETARY TO CONNECTOR MFG. CO. AND IS NOT TO BE DISCLOSED OUTSIDE OF CONNECTOR MFG. CO. WITHOUT A CONFIDENTIALITY AGREEMENT



CONNECTOR MANUFACTURING CO.

HAMILTON, OHIO

